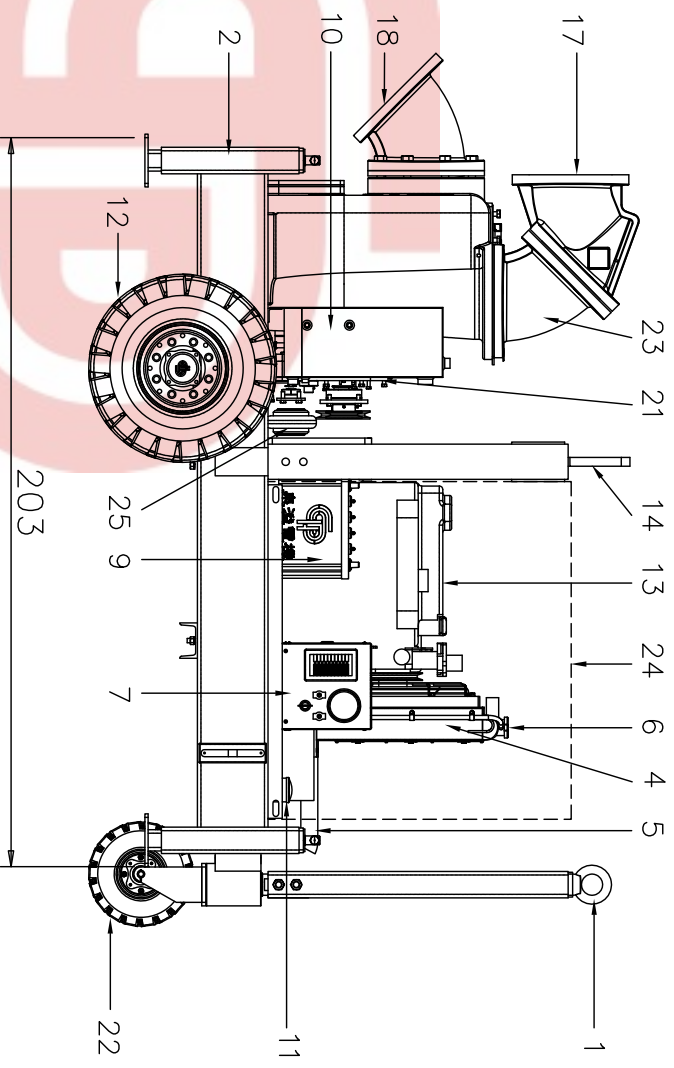


- 1. DRAG ROD
- 2. ADJUSTABLE RACK
- 3. OIL TANK
- 4. RADIATOR
- 5. EXHAUST PIPE
- 6. WATER FILLING HOLE
- 7. CONTROL BOX
- 8. VACUUM PUMP
- 9. BATTERY
- 10. LUBRICATED OIL TANK



- 11. FUELING HOLE
 - 12. TIRE
 - 13. ENGINE
 - 14. LIFT RACK
 - 15. AIR WATER SEPARATOR
 - 16. PUMP BODY
 - 17. OUTLET-8" ($\varnothing 200\text{m/m}$)
 - 18. INLET-8" ($\varnothing 200\text{m/m}$)
 - 19. CLEANING HOLE
 - 20. VACUUM GAUGE
 - 21. GEAR BOX
 - 22. STEERING WHEEL
 - 23. CHECK VALVE
 - 24. PROTECTIVE SHIELD
 - 25. COUPLING
- NET WEIGHT 1550Kg

MAKER	MODEL	NAME	UNITE
CHUAN YI ELECTRIC MACHINERY WORKS CO.,LTD	CPM20B	AUTO PRIME ENGINE PUMP	CM